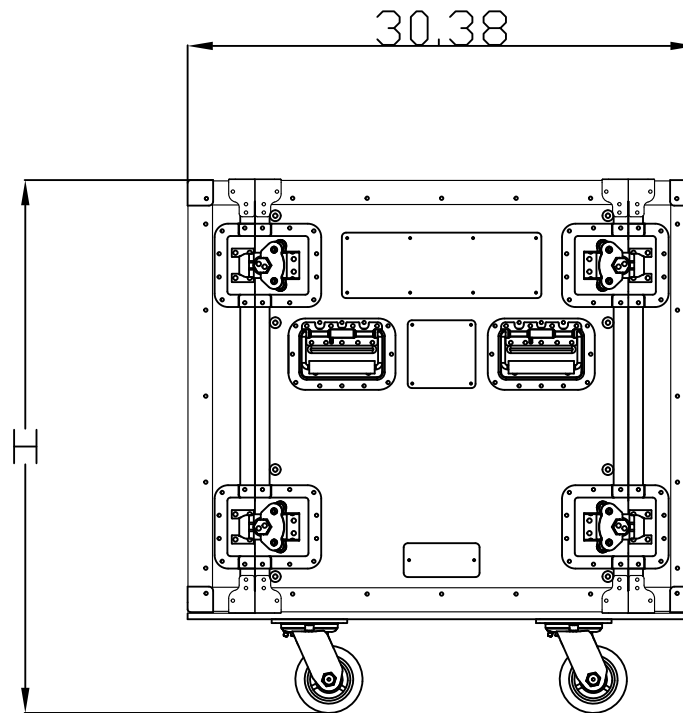
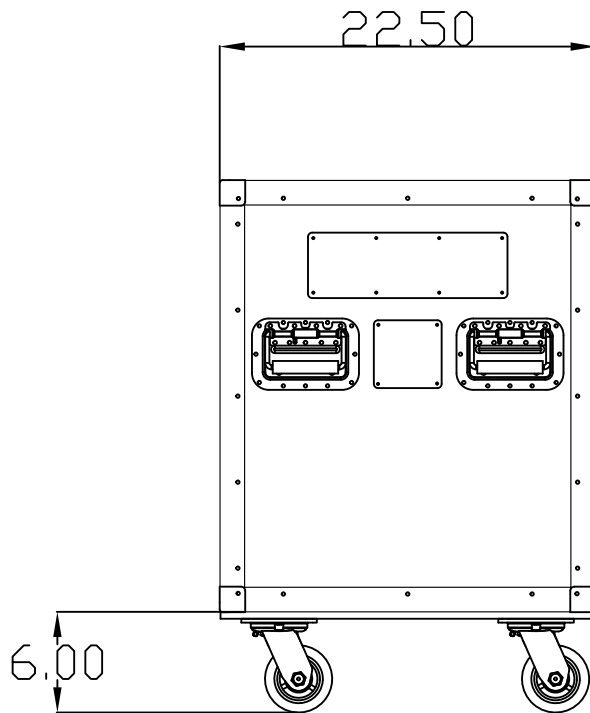
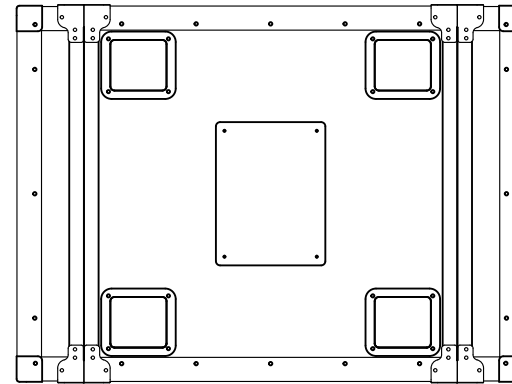


OVERALL HEIGHTS = "H"

- 8 SPACE RACK = 21.50
- 10 SPACE RACK = 25.00
- 12 SPACE RACK = 28.50
- 14 SPACE RACK = 32.00
- 16 SPACE RACK = 35.50
- 18 SPACE RACK = 39.00
- 20 SPACE RACK = 42.50



NAME Rack Cases	
BY [whirwind]	DATE 4/04/2017
JOB/SPEC#	ORDER# R&D
QUANTITY#	XX
MATERIAL	FINISH
CUSTOMER DWG #	N/A
DRAWING#	MS040417-01KS