

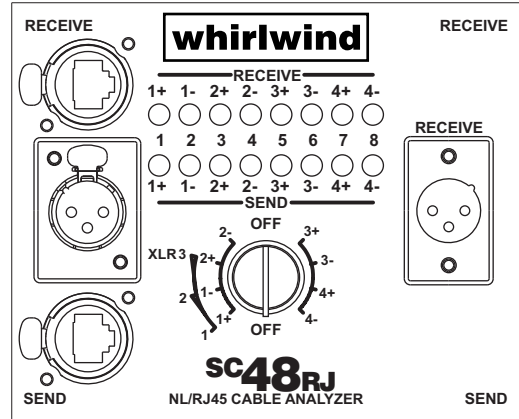
# Warranty

This product is warranted to be free of defects in materials or workmanship to the original purchaser for a period of three years from the date of purchase. Should warranty service be required, return the unit postage paid along with the original sales receipt to:

**Whirlwind Music Dist., Inc.**  
**99 Ling Road**  
**Rochester NY 14612**

Whirlwind will, at it's option, repair or replace the unit. This warranty does not cover damage resulting from abuse, unauthorized modifications or use of the product in unintended applications.

## SC48RJ NL/RJ45 CABLE ANALYZER



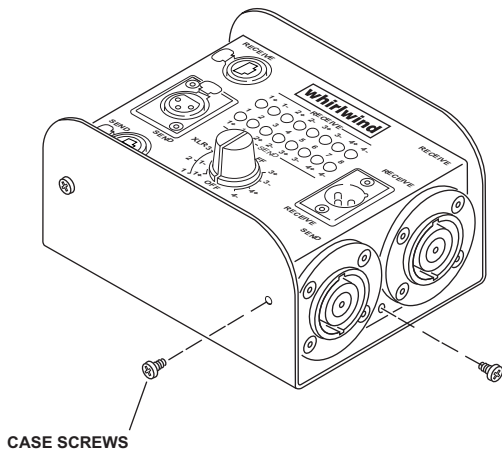
The Whirlwind SC48RJ Cable Analyzer is a convenient device for fully testing professional NL multiline speaker cables, RJ45 Ethernet cables and three pin XLR cables. The simple yet comprehensive design can diagnose opens, shorts, incorrect wiring or even customized wiring configurations in cables with up to eight conductors. The SC48 is powered by a single 9 Volt battery.

**whirlwind**

## Operation

Connect one end of the test cable to the appropriate SEND connector and the other end to the mating RECEIVE connector. Turning the rotary switch from the OFF position will send current to one of the SEND LED indicators and to the same contact on the SEND connector. The current flows through the cable and into the RECEIVE connector and will light the corresponding RECEIVE LED in a cable wired to the same contact at each end. For cables wired pin to pin, rotating through all of the positions should light only SEND and RECEIVE LEDs for the conductor that the switch is testing. Cables with shorted conductors will light additional SEND and RECEIVE LEDs identifying which wires the conductor being tested is shorted to. Cables with open conductors will light only the SEND LED. Combinations of shorts and opens will light patterns of LEDs that can identify the fault conditions within the cable. The SC48 can also identify custom wiring configurations.

## Service



Removing the six case screws provides access to the 9 Volt battery compartment. The battery should be changed when the SEND LED becomes dim.